

Before installing the VMX-agility™ Application Driven Soft Starter thoroughly read the user manual. To download scan the QR Code to the right or visit motortronics.com (Mobile device friendly).

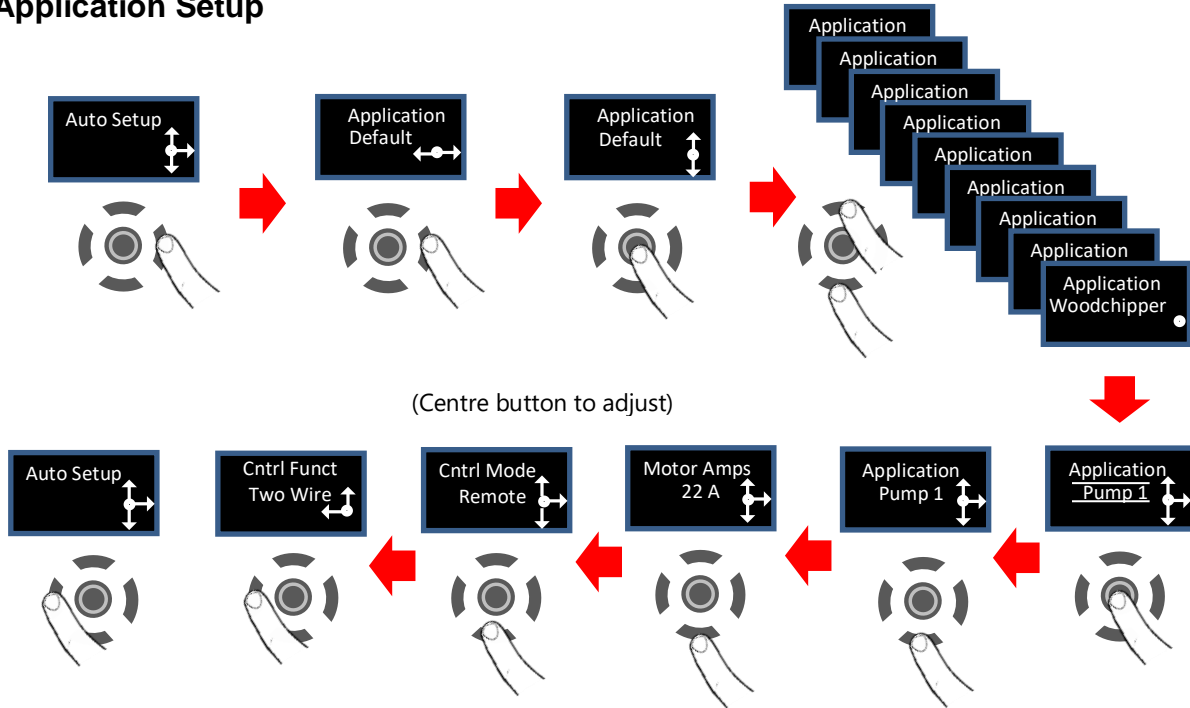


After all electrical connections have been made; apply power to the VMX-agility™ soft starter.

IMPORTANT!

Select an application and set motor Full Load Amps by following the **Auto Application Setup** below.

Auto Application Setup

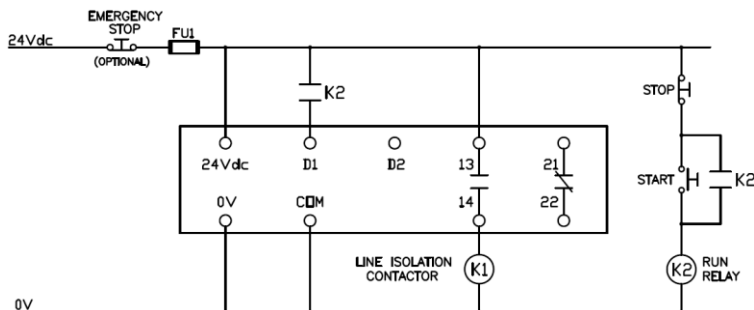


Single Phase Operation

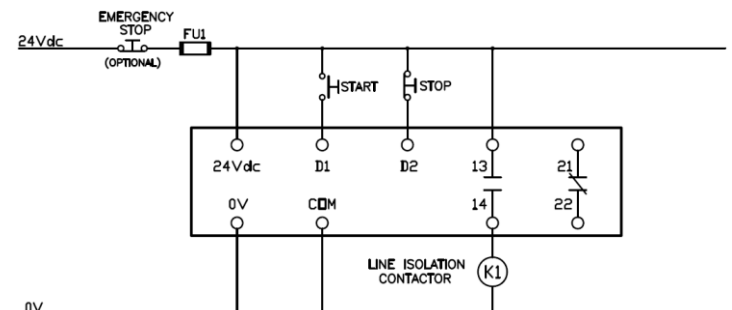
The VMX-agility™ can be used with a single-phase supply and single-phase motor. To select single phase operation, go to the **Advanced** menu, select **Mode** and set **Op Mode** to 1 Phase.

Control Wiring (Select in Auto Application Setup or Input Menu)

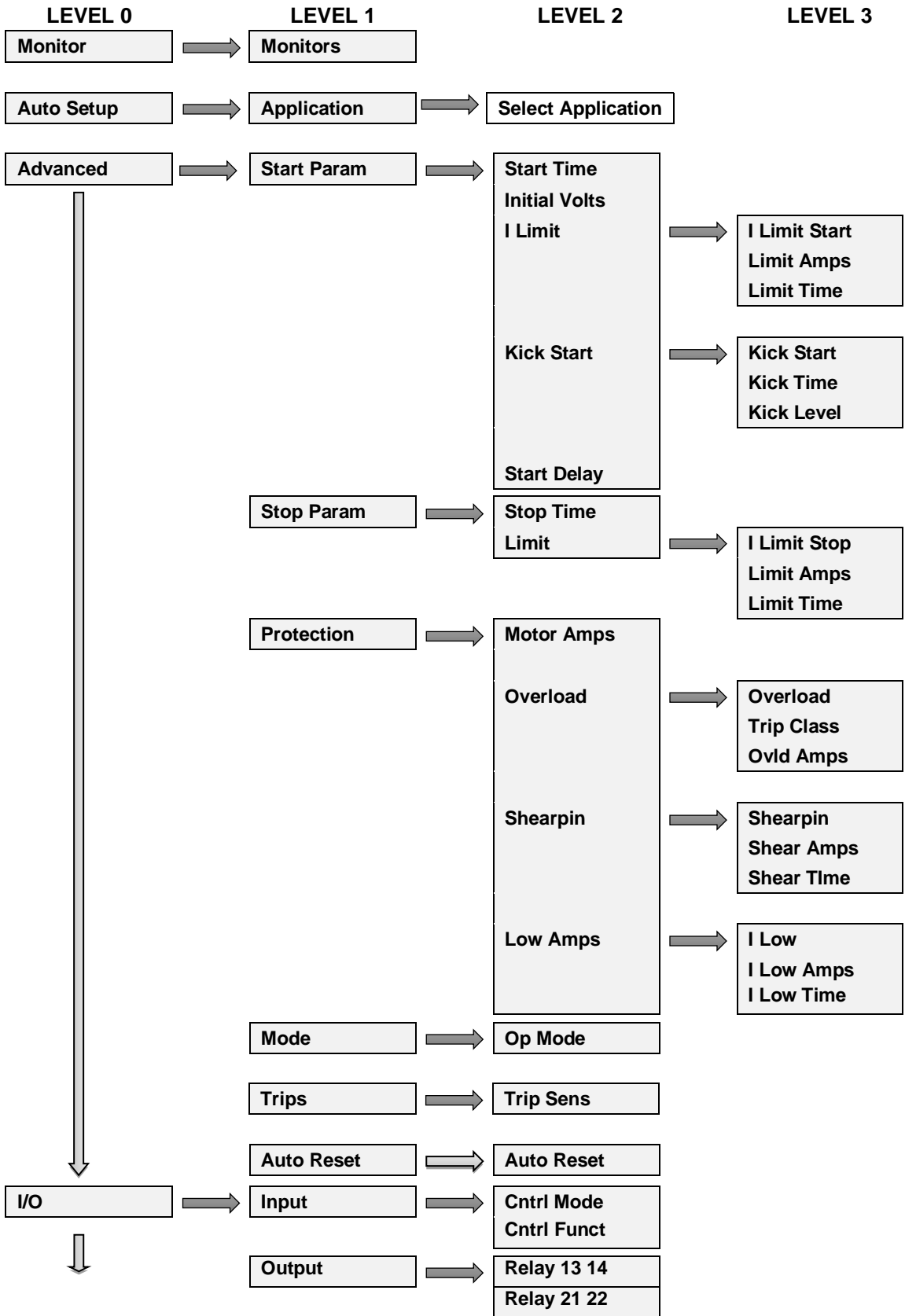
2-Wire / User Programmable Control (24VDC)



3-Wire Control (24VDC)



Basic Menu Structure (Refer to the VMX-agility™ user manual for full menu structure)



California Customers:

California Proposition 65 Warning

WARNING: this product and associated accessories may contain chemicals known to the State of California to cause cancer, birth defects, or other reproductive harm. For more information visit <https://p65warnings.ca.gov>