



Current Transformer

Model 115MR

APPLICATION:

Relaying

FREQUENCY:

50-400 Hz.

INSULATION LEVEL:

600 Volts. 10 kV BIL. full wave

WINDOW DIAMETER:

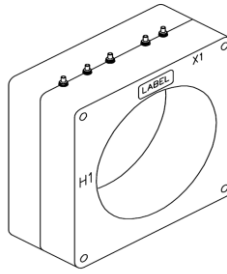
4.0"

APPROXIMATE WEIGHT:

19 lbs.

CONNECTIONS:

- Terminals are brass studs No. 8-32 UNC with one flat washer, lockwasher, and regular nut
- The transformer winding is arranged so that the turns are fully distributed between all taps



Model	115MR
Window Size	4.00
Width	7.00
Height	7.12
Depth	4.00

CERTIFICATIONS:



E228202

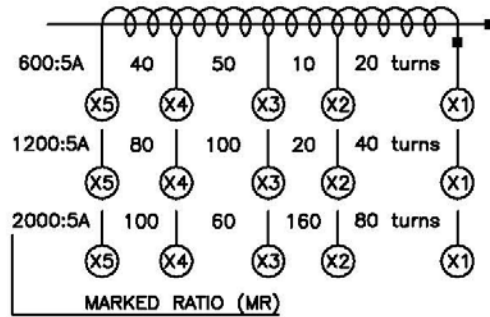
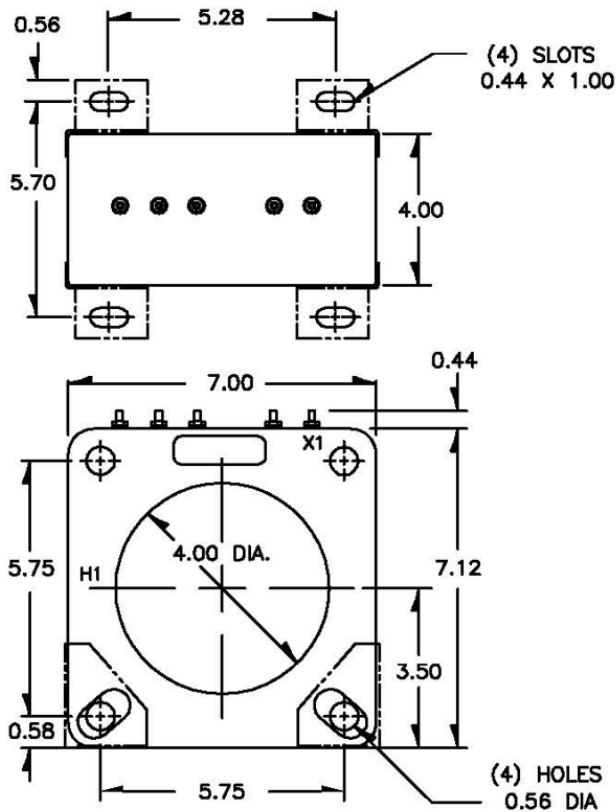


223647



MODEL 115MR
 Window Diameter 4.0"
 Approximate weight: 19 lbs.

Catalog Number	Relay Class	Continuous Thermal	
		@ 30°C	@ 50°C
115-601MR	C50	2.0	1.5
115-122MR	C100	1.33	1.0
115-202MR	C200	1.0	0.8





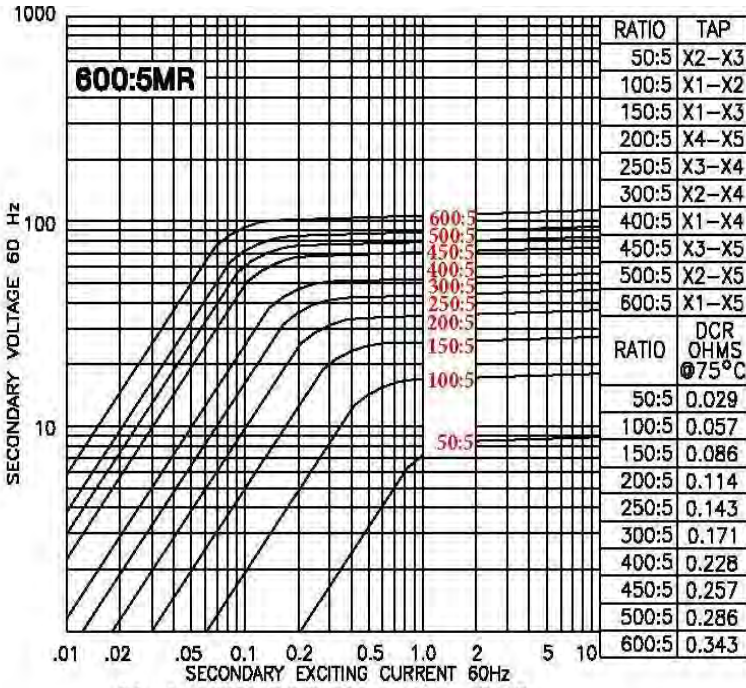
TTL Transformer Technologies Ltd.



Current Transformer

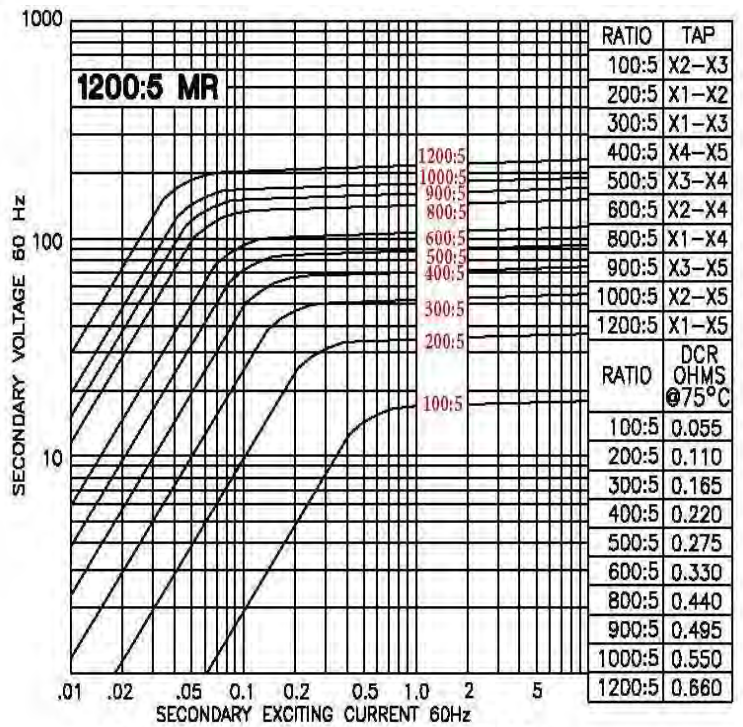
Model 115MR

EXCITATION CURVE



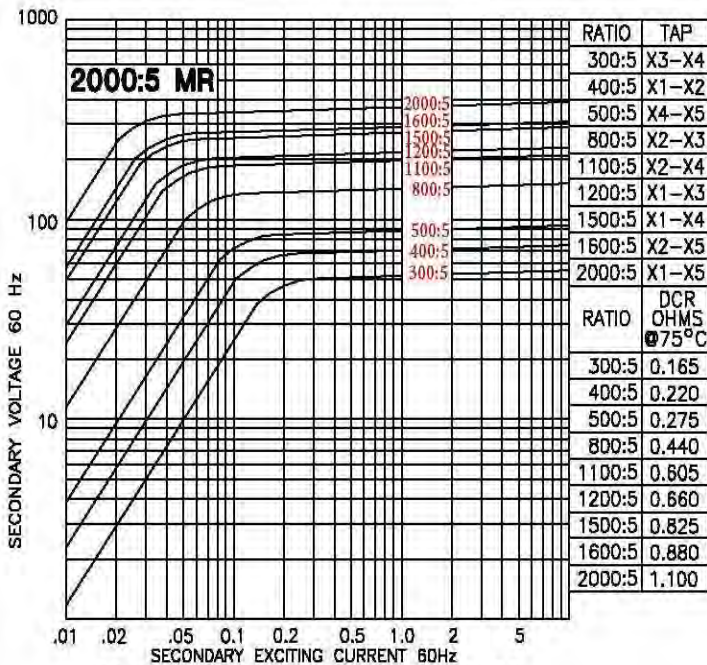
Model 115-601MR- rating C50

TRF= 2.00 @ 30°C, 1.5 @ 55°C amb.



Model 115-122MR - rating C100

TRF= 1.33 @ 30°C, 1.0 @ 55°C amb.



Model 115-202MR - rating C200

TRF= 1.00 @ 30°C, 0.8 @ 55°C amb.