



# Current Transformer

## Model 135



### CERTIFICATIONS:



**APPLICATION:**

Relaying and metering.

**FREQUENCY:**

50-400 Hz.

**INSULATION LEVEL:**

600 Volts. 10 kV BIL. full wave

**WINDOW DIAMETER:**

5.75"

**APPROXIMATE WEIGHT:**

18 lbs.

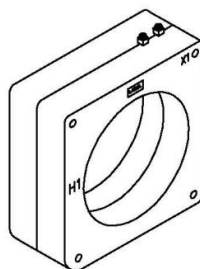
**CONNECTIONS:**

- Terminals are brass connections No. 10-32 UNF with one flat washer, lockwasher, and regular nut
- Multi-ratios available upon request
- Brackets 59-0215 (CR) and 59-0216 (CL)

Model	135
Window Size	5.75
Width	9.21
Height	9.21
Depth	3.00

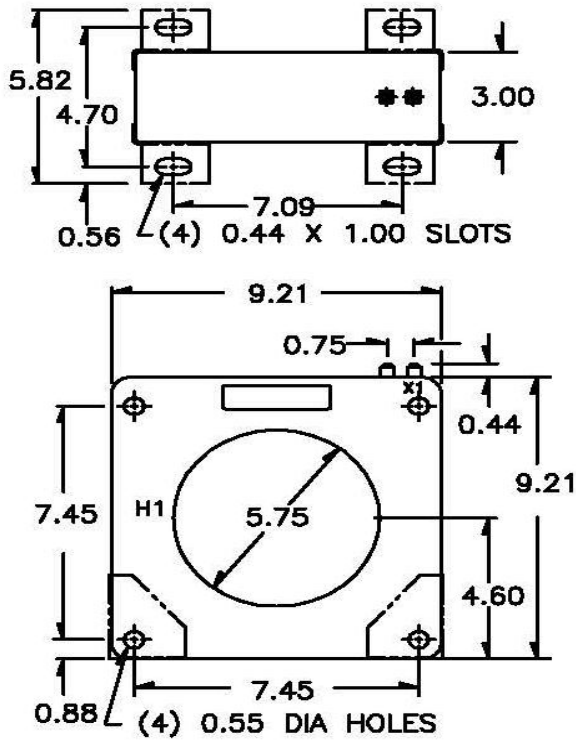
**MODEL 135**  
Window Diameter 5.75"  
Approximate weight: 18 lbs.

CATALOG NUMBER	CURRENT RATIO	RELAY CLASS	ANSI METERING CLASS AT 60 HZ					SECONDARY WINDING RESISTANCE (OHMS @ 75°C)	CONTINUOUS THERMAL RATING FACTOR	
			B0.1	B0.2	B0.5	B0.9	B1.8		@ 30°C	@ 55°C
135 - 500	50:5	-	4.8	-	-	-	-	0.015	2	2
135 - 750	75:5	-	2.4	4.8	-	-	-	0.027	2	2
135 - 101	100:5	-	1.2	2.4	4.8	-	-	0.036	2	2
135 - 151	150:5	C10	0.6	1.2	2.4	4.8	-	0.059	2	2
135 - 201	200:5	C10	0.6	0.6	1.2	2.4	4.8	0.078	2	2
135 - 251	250:5	C20	0.6	0.6	1.2	2.4	2.4	0.113	2	2
135 - 301	300:5	C20	0.3	0.3	0.6	1.2	2.4	0.117	2	2
135 - 401	400:5	C20	0.3	0.3	0.3	0.6	1.2	0.156	2	2
135 - 501	500:5	C50	0.3	0.3	0.3	0.3	0.6	0.181	2	2
135 - 601	600:5	C50	0.3	0.3	0.3	0.3	0.6	0.217	2	2
135 - 751	750:5	C50	0.3	0.3	0.3	0.3	0.6	0.339	2	1.5
135 - 801	800:5	C50	0.3	0.3	0.3	0.3	0.6	0.362	2	1.5
135 - 102	1000:5	C100	0.3	0.3	0.3	0.3	0.3	0.452	1.5	1.33
135 - 122	1200:5	C100	0.3	0.3	0.3	0.3	0.3	0.543	1.5	1.33
135 - 152	1500:5	C100	0.3	0.3	0.3	0.3	0.3	0.678	1.5	1
135 - 162	1600:5	C100	0.3	0.3	0.3	0.3	0.3	0.694	1.5	1
135 - 202	2000:5	C100	0.3	0.3	0.3	0.3	0.3	0.867	1.33	1
135 - 252	2500:5	C200	0.3	0.3	0.3	0.3	0.3	1.084	1	0.8
135 - 302	3000:5	C200	0.3	0.3	0.3	0.3	0.3	1.301	1	0.8
135 - 322	3200:5	C200	0.3	0.3	0.3	0.3	0.3	1.279	1	0.8
135 - 352	3500:5	C200	0.3	0.3	0.3	0.3	0.3	1.399	1	0.8
135 - 402	4000:5	C200	0.3	0.3	0.3	0.3	0.3	1.598	1	0.6
135 - 502	5000:5	C200	0.3	0.3	0.3	0.3	0.3	2.459	1	0.6

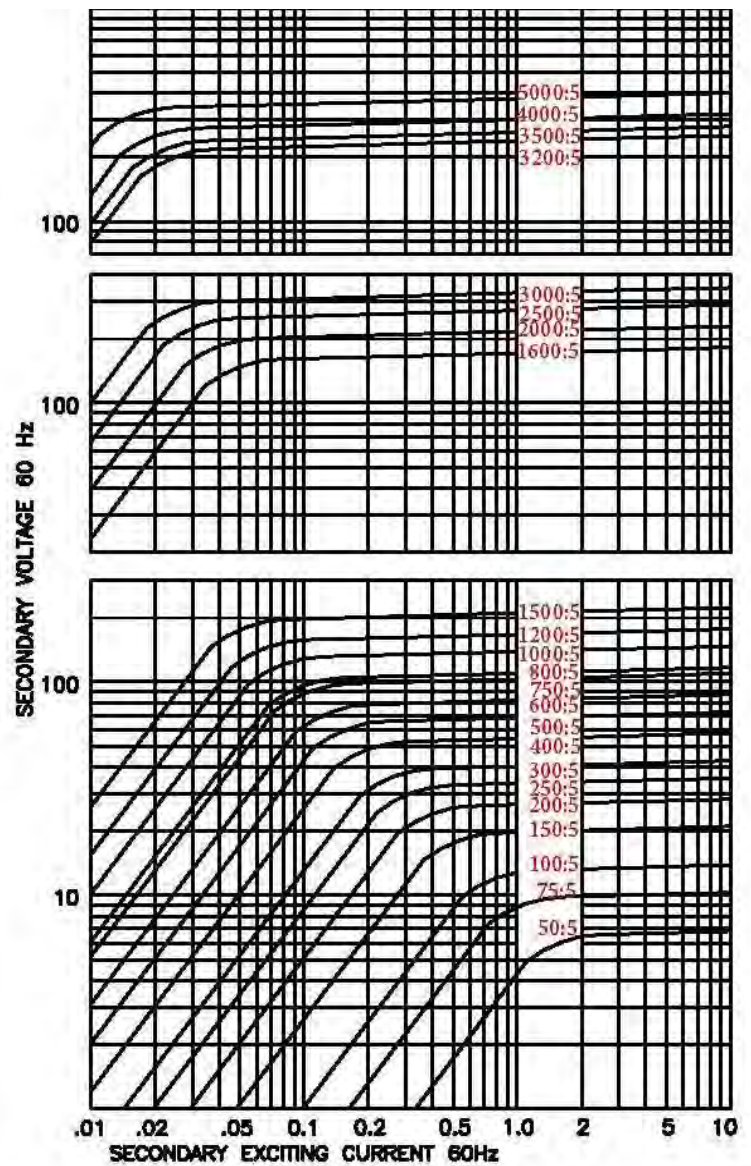


Products are manufactured in a plant whose quality management system has been certified to be in compliance with ISO 9001:2015 by NQA

Model 135



EXCITATION CURVE



Model 135