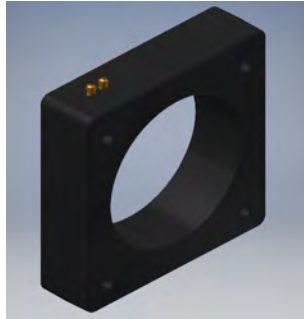




# Current Transformer

**Model 142**  
rev 011218

## CERTIFICATIONS:



**APPLICATION:**

Relaying and metering.

**FREQUENCY:**

50-400 Hz.

**INSULATION LEVEL:**

600 Volts. 10 kV BIL. full wave

**WINDOW DIAMETER:**

7.25"

**APPROXIMATE WEIGHT:**

31 lbs.

**CONNECTIONS:**

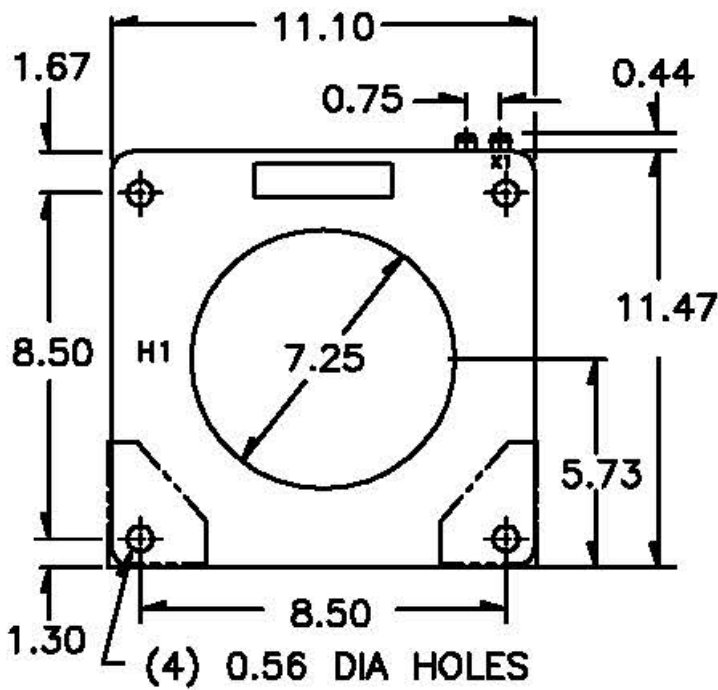
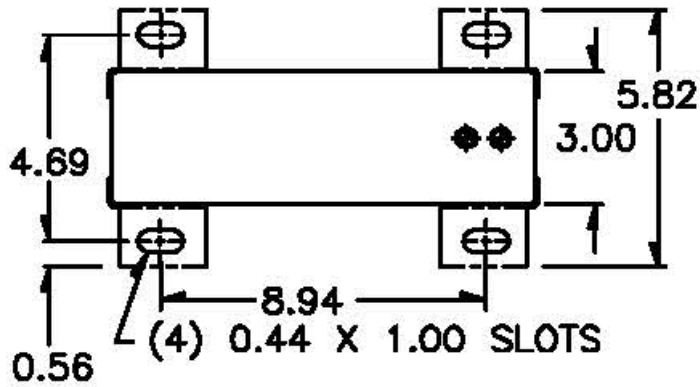
- Terminals are brass screws No. 10-32 UNF with one flat washer and a split lock washer
- Multi-ratios available upon request
- Mounting Kit – 59-0215 (CR) and 59-0216 (CL)

<b>Model</b>	<b>142</b>
<b>Window Size</b>	<b>7.25</b>
<b>Width</b>	<b>11.10</b>
<b>Height</b>	<b>11.47</b>
<b>Depth</b>	<b>3.00</b>

**MODEL 142**  
**Window Diameter 7.25"**  
**Approximate weight: 31 lbs.**

CATALOG NUMBER	CURRENT RATIO	RELAY CLASS	ANSI METERING CLASS AT 60 HZ					SECONDARY WINDING RESISTANCE (OHMS @ 75°C)	CONTINUOUS THERMAL RATING FACTOR	
			B0.1	B0.2	B0.5	B0.9	B1.8		@ 30°C	@ 55°C
142 – 500	50:5	-	-	-	-	-	-	0.031	2	2
142 – 750	75:5	-	2.4	4.8	-	-	-	0.035	2	2
142 – 101	100:5	C10	1.2	2.4	4.8	-	-	0.051	2	2
142 – 151	150:5	C10	1.2	1.2	2.4	4.8	-	0.070	2	2
142 – 201	200:5	C20	0.6	0.6	1.2	2.4	4.8	0.102	2	2
142 – 251	250:5	C20	0.6	0.6	1.2	1.2	2.4	0.127	2	2
142 – 301	300:5	C30	0.3	0.3	0.6	1.2	2.4	0.153	2	2
142 – 401	400:5	C50	0.3	0.3	0.3	0.6	1.2	0.196	2	2
142 – 501	500:5	C50	0.3	0.3	0.3	0.6	0.6	0.252	2	2
142 – 601	600:5	C50	0.3	0.3	0.3	0.3	0.6	0.255	2	2
142 – 751	750:5	C100	0.3	0.3	0.3	0.3	0.3	0.304	2	1.5
142 – 801	800:5	C100	0.3	0.3	0.3	0.3	0.3	0.336	2	1.5
142 – 102	1000:5	C100	0.3	0.3	0.3	0.3	0.3	0.486	2	1.5
142 – 122	1200:5	C100	0.3	0.3	0.3	0.3	0.3	0.735	1.5	1
142 – 152	1500:5	C200	0.3	0.3	0.3	0.3	0.3	0.918	1.5	1
142 – 162	1600:5	C200	0.3	0.3	0.3	0.3	0.3	0.979	1.33	1
142 – 202	2000:5	C200	0.3	0.3	0.3	0.3	0.3	0.544	2	1.5
142 – 252	2500:5	C200	0.3	0.3	0.3	0.3	0.3	1.066	1.5	1
142 – 302	3000:5	C200	0.3	0.3	0.3	0.3	0.3	1.280	1	0.8
142 – 322	3200:5	C200	0.3	0.3	0.3	0.3	0.3	1.365	1	0.8
142 – 352	3500:5	C200	0.3	0.3	0.3	0.3	0.3	1.493	1	0.8
142 – 402	4000:5	C200	0.3	0.3	0.3	0.3	0.3	1.452	1	0.8
142 – 502	5000:5	C200	0.3	0.3	0.3	0.3	0.3	1.915	1	0.8
142 – 602	6000:5	C200	0.3	0.3	0.3	0.3	0.3	2.298	1	0.6

Products are manufactured in a plant whose quality management system has been certified to be in compliance with ISO 9001:2015 by NQA



### EXCITATION CURVE

