



# Current Transformer

**Model 143MR**  
rev 03182021

## CERTIFICATIONS:



**APPLICATION:**

Relaying and metering.

**FREQUENCY:**

50-400 Hz.

**INSULATION LEVEL:**

600 Volts. 10 kV BIL. full wave

**WINDOW DIAMETER:**

7.31"

**APPROXIMATE WEIGHT:**

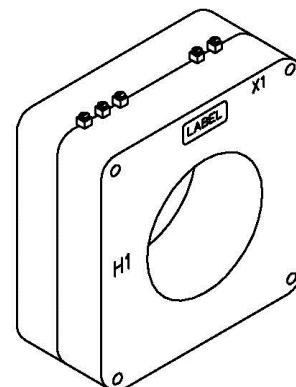
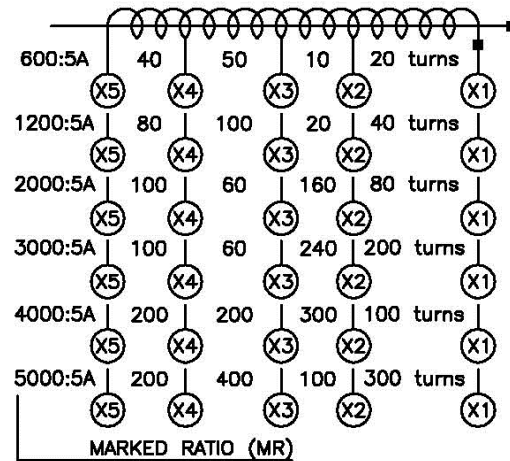
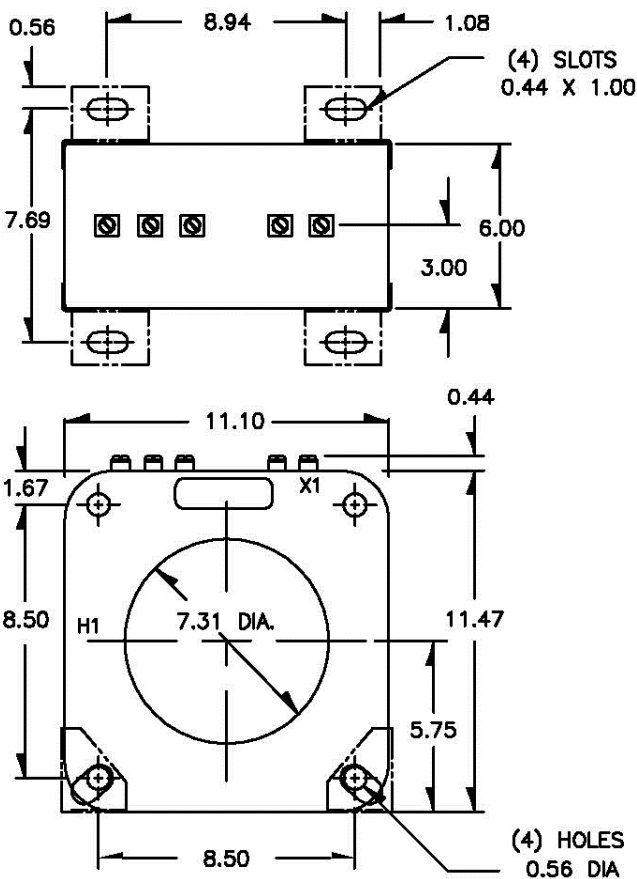
60 lbs.

**CONNECTIONS:**

- Terminals are brass screws No. 10-32 UNF with one flat washer and a split lock washer
- Mounting kit – 59-0215 (CR) and 59-0216 (CL)

Model	143MR
Window Size	7.31
Width	11.10
Height	11.47
Depth	6.00

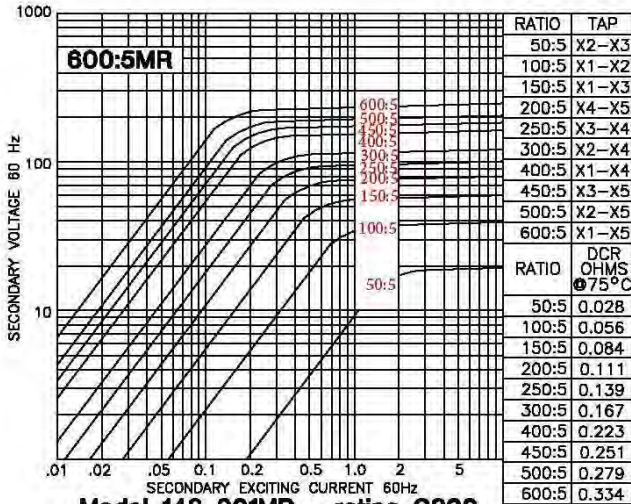
**MODEL 143MR**  
Window Diameter 7.31"  
Approximate weight: 60 lbs.



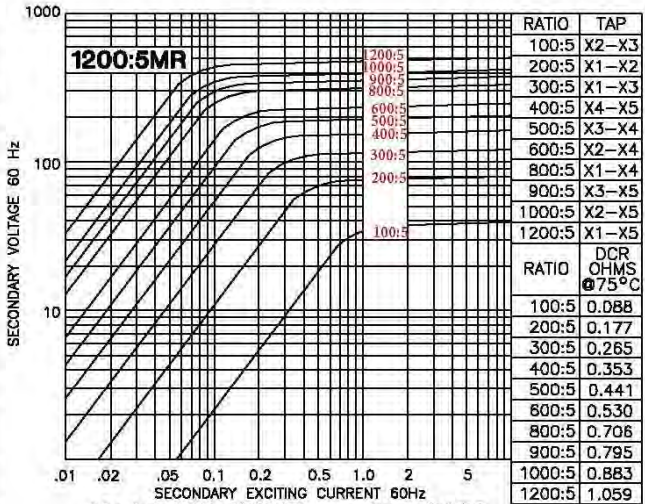
Products are manufactured in a plant whose quality management system has been certified to be in compliance with ISO 9001:2015 by NQA



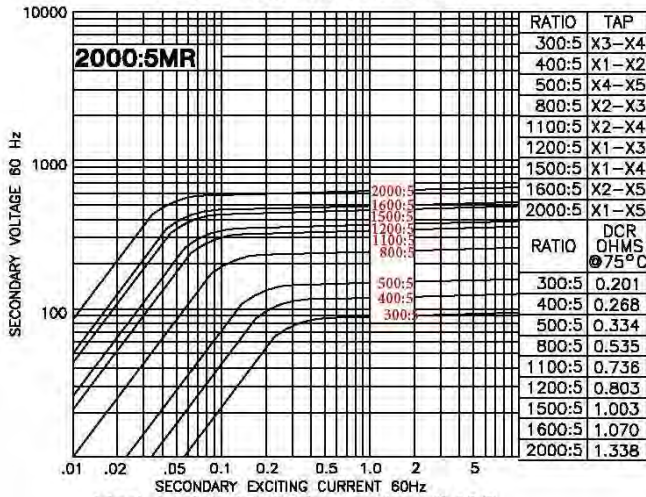
## EXCITATION CURVE



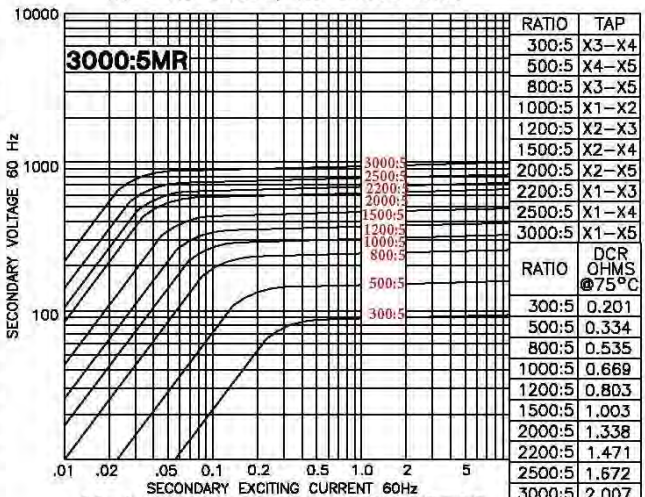
**Model 143-601MR - rating C200**  
TRF= 2.0 @ 30°C, 1.5 @ 55°C amb.



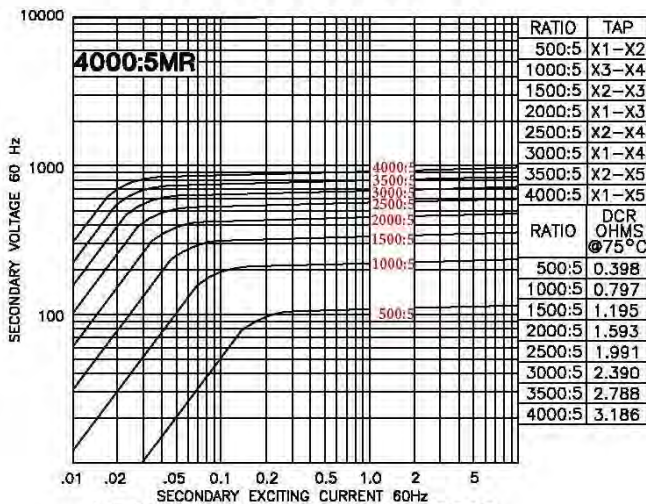
**Model 143-122MR - rating C400**  
TRF= 1.5 @ 30°C, 1.0 @ 55°C amb.



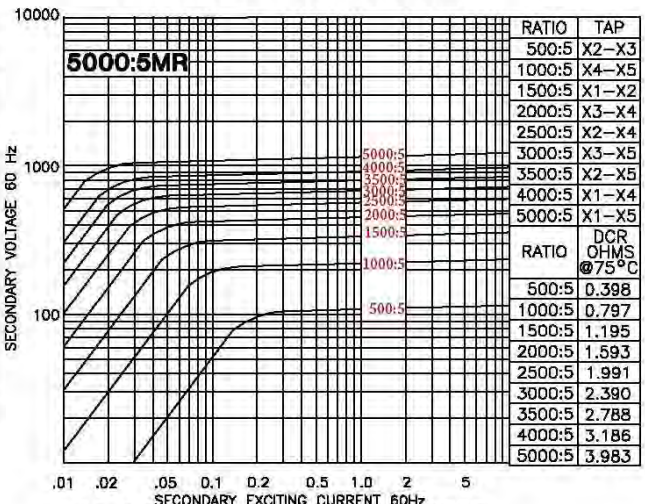
**Model 143-202MR - rating C400**  
TRF= 1.33 @ 30°C, 1.0 @ 55°C amb.



**Model 143-302MR - rating C800**  
TRF= 1.0 @ 30°C, 0.8 @ 55°C amb.



**Model 143-402MR - rating C800**  
TRF= 1.0 @ 30°C, 0.6 @ 55°C amb.



**Model 143-502MR - rating C800**  
TRF= 1.0 @ 30°C, 0.6 @ 55°C amb.