



Current Transformer

Model 170SHT-0.333
rev 03182021

CERTIFICATIONS:



APPLICATION:

Metering

FREQUENCY:

50-400 Hz.

INSULATION LEVEL:

600 Volts. 10 kV BIL. full wave

WINDOW DIAMETER:

4.25"

APPROXIMATE WEIGHT:

3 lbs.

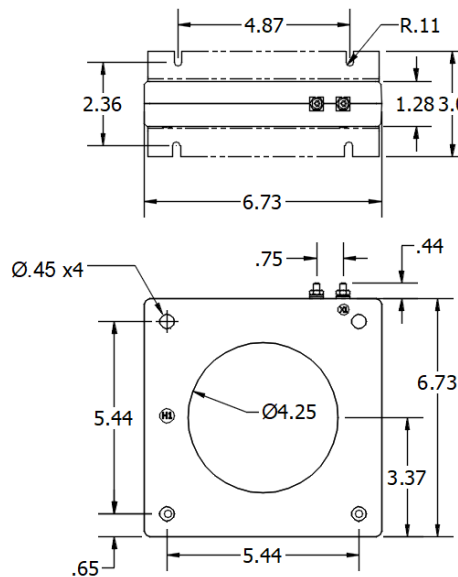
CONNECTIONS:

- Flexible leads are UL 1015 105° C CSA approved, #16 AWG, 24" long
- Terminals are brass studs No. 8-32 UNC with one flat washer, lockwasher, and regular nut
- Mounting kit – 59-0221

Model	170SHT
Window Size	4.25
Width	6.73
Height	6.73
Depth	1.28

MODEL 170SHT
Window Diameter 4.25"
Approximate weight: 3 lbs.

CATALOG NUMBER	CURRENT VOLTAGE RATIO
170SHT-201-0.333	200:0.333
170SHT-251-0.333	250:0.333
170SHT-301-0.333	300:0.333
170SHT-401-0.333	400:0.333
170SHT-501-0.333	500:0.333
170SHT-601-0.333	600:0.333
170SHT-751-0.333	750:0.333
170SHT-801-0.333	800:0.333
170SHT-102-0.333	1000:0.333
170SHT-122-0.333	1200:0.333
170SHT-152-0.333	1500:0.333
170SHT-162-0.333	1600:0.333
170SHT-202-0.333	2000:0.333
170SHT-252-0.333	2500:0.333
170SHT-302-0.333	3000:0.333
170SHT-352-0.333	3500:0.333
170SHT-402-0.333	4000:0.333



Products are manufactured in a plant whose quality management system has been certified to be in compliance with ISO 9001:2015 by NQA