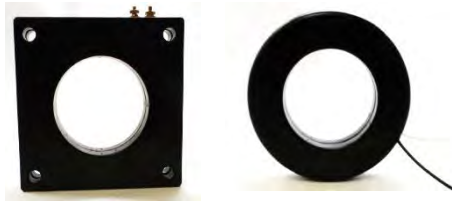




Current Transformer

Model 8
rev 03182021

CERTIFICATIONS:



8SHT 8RL



APPLICATION:

Metering

FREQUENCY:

50-400 Hz.

INSULATION LEVEL:

600 Volts. 10 kV BIL. full wave

WINDOW DIAMETER:

3.25"

APPROXIMATE WEIGHT:

2.5 lbs.

CONNECTIONS:

- Flexible Leads are UL 1015 105°C, CSA approved #16 AWG, 24" long
- Non-standard length to be specified
- Terminals are brass studs No. 8-32 UNC with one flat washer, lockwasher, and regular nut
- SHT case styles also available with Leads
- Order Mounting Bracket Kit E separately when required for Model 8SHT
- Mounting Kit 59-0220

Model	8SHT	8RL
Window Size	3.25	3.25
Width	5.73	5.73
Height	5.73	5.73
Depth	1.15	1.15

MODEL 8SHT and 8RL
Window Diameter 3.25"
Approximate weight: 2.5 lbs.

CATALOG NUMBER	CURRENT RATIO	VA FOR ± 1% CLASS	ANSI METERING CLASS AT 60HZ					SECONDARY WINDING RESISTANCE (OHMS @ 75°C)	CONTINUOUS THERMAL RATING FACTOR	
			BO.1	BO.2	BO.5	BO.9	B1.8		@ 30° C	@ 55° C
8**-201	200:5	5	1.2	1.2	2.4	4.8	4.8	0.03	2	2
8**-251	250:5	7.5	0.6	0.6	1.2	2.4	4.8	0.044	2	2
8**-301	300:5	15	0.6	0.6	1.2	2.4	2.4	0.049	2	2
8**-401	400:5	25	0.3	0.3	0.6	1.2	2.4	0.079	2	1.5
8**-501	500:5	35	0.3	0.3	0.6	0.6	1.2	0.102	2	1.5
8**-601	600:5	50	0.3	0.3	0.6	0.6	1.2	0.147	1.5	1.33
8**-751	750:5	50	0.3	0.3	0.6	0.6	1.2	0.184	1.5	1
8**-801	800:5	60	0.3	0.3	0.3	0.6	0.6	0.197	1.5	1
8**-102	1000:5	75	0.3	0.3	0.3	0.6	0.6	0.246	1.33	1
8**-122	1200:5	75	0.3	0.3	0.3	0.3	0.6	0.169	1.5	1
8**-152	1500:5	90	0.3	0.3	0.3	0.3	0.6	0.316	1.33	1
8**-162	1600:5	100	0.3	0.3	0.3	0.3	0.6	0.337	1.33	0.8
8**-202	2000:5	120	0.3	0.3	0.3	0.3	-	0.422	1	0.8
8**-252	2500:5	50	0.3	0.3	0.3	0.3	-	0.438	1	0.8
8**-302	3000:5	60	0.3	0.3	0.3	0.3	-	0.526	1	0.8
8**-322	3200:5	70	0.3	0.3	0.3	0.3	-	0.561	1	0.8

Note: When ordering, Prefix Cat. No. with model designation required, i.e. 8RL-301 or 8SHT-301



8SHT

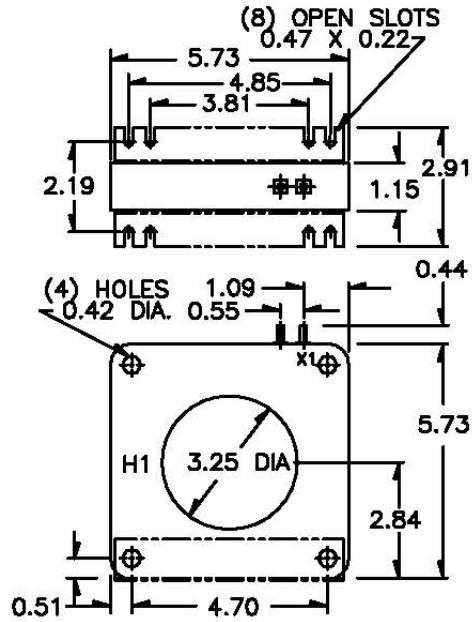


8RL

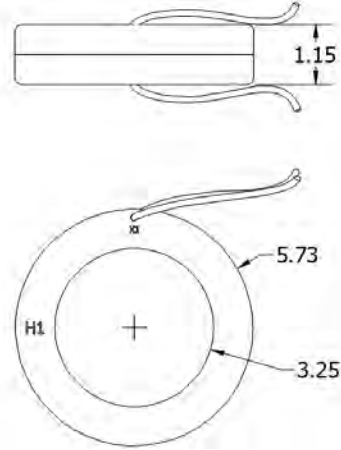
Products are manufactured in a plant whose quality management system has been certified to be in compliance with ISO 9001:2015 by NQA



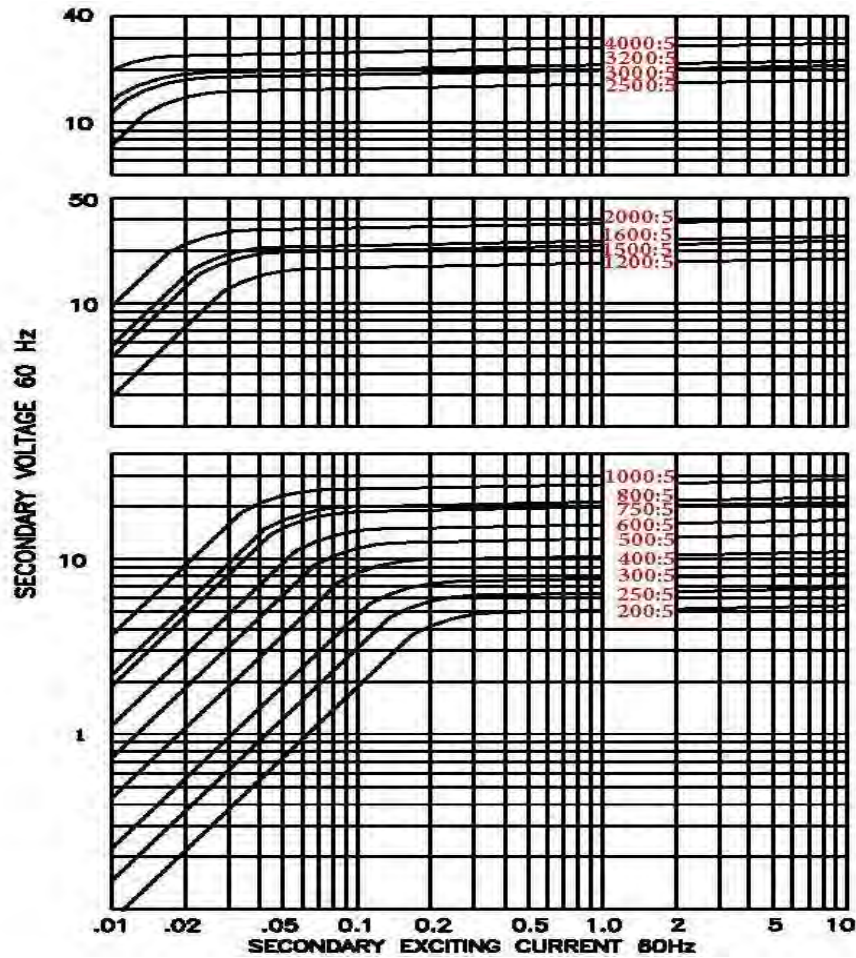
8SHT



8RL



EXCITATION CURVE



Model 8